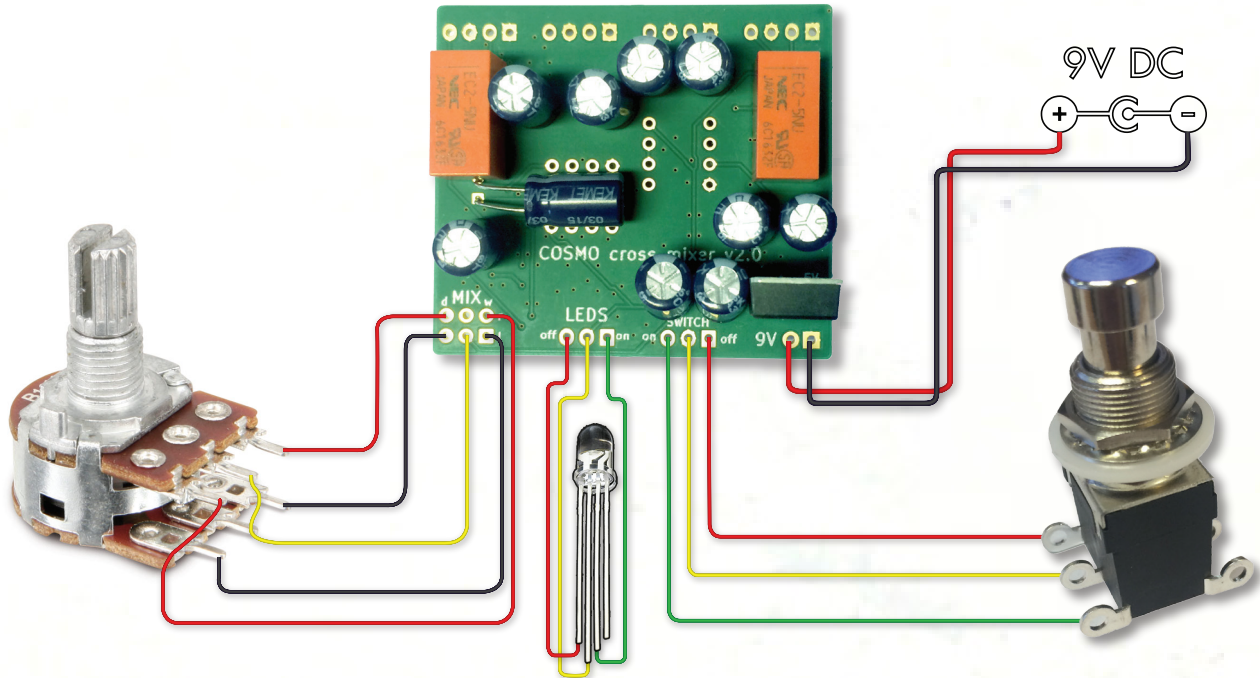


How to wire pot, LED & switch COSMO Cross Mixer



Switch

We need a 2PDT switch for the Cross Mixer, but only use one pin on each “channel” of the switch

LED

The Cross Mixer needs a common anode RGB LED. Here the longest pin is positive, which goes in to the middle socket on the Cross Mixer. The first pin is red light, the third green light and the fourth blue light - we connect the firsts/red to the off socket and the third/green to the on socket

Potentiometer

The Cross Mixer uses a stereo potentiometer to mix between dry and wet signal. The middle pins can be coupled on the pot so save one wire to the Cross Mixer